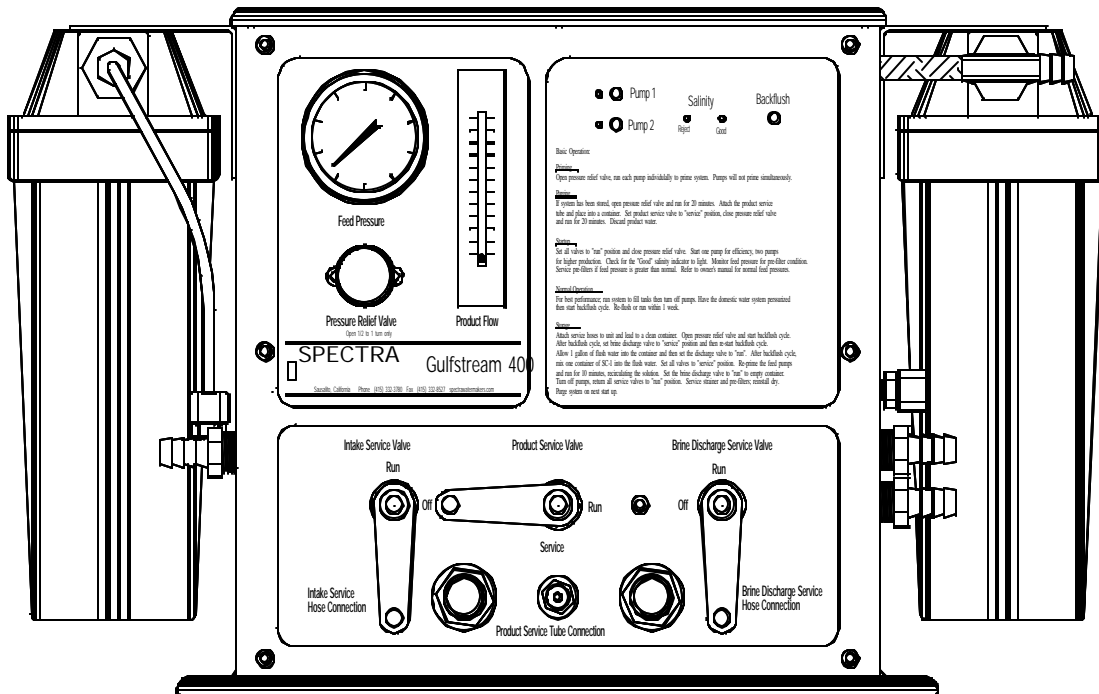


SPECTRA

Watermakers



GULFSTREAM 400 OPERATION AND INSTALLATION MANUAL

Spectra Watermakers

A Division of Edinger Marine Service, Inc.

20 Mariposa Road San Rafael CA 94901

Phone 415.526.2780 Fax 415.526.2787

E-mail: spectra@spectrawatermakers.com

www.spectrawatermakers.com

Introduction

Thank you for choosing a Spectra Watermaker! It is our wish for you to be completely satisfied with our product. We have inspected and tested all of the components before shipping, and feel we have produced one of the finest products available.

Your long term satisfaction with this system will depend greatly on how the **Spectra** system is installed. The unique performance is obtained not only by our new pressurization process, but by careful attention to reducing flow restriction, mechanical friction and electrical resistance. All of this is affected by the final installation, and that is ultimately up to you. By reading, understanding and following this manual, even if you are not doing the installation yourself, we are confident you will be happy with your new **Spectra** system.

With years of experience installing and repairing many different kinds of watermakers, we have seen nearly everything that should or should not be done. This manual includes the summation of that knowledge, tailored for the **Spectra Watermakers**.

It is very important that you follow the instructions in this manual. They are designed to help you "customize" the installation to your boat, while maintaining performance. If any questions arise, please call us for help immediately. This is a unique product so be careful of "experts," as they most likely will not have gone through the same learning curve as we have during the development of the **Spectra** systems.

If someone else is installing the watermaker for you, review all aspects of the system with them before the drilling and cutting begins. This will help avoid making mistakes. If you have any doubts, please call us. We will be happy to help tailor the system to your particular needs. As with any sophisticated device, there may be "bugs" or minor problems. Please call us for consultation or advice before attempting to repair a new system.

"Use it or lose it" really *does* apply to watermakers, but we prefer "use it or pickle it". All watermakers will suffer damage if they are run and left without storage treatment or "pickling". We have found that if the pickling and cleaning processes are made easy there is a higher probability of it happening. This is why we have included service valves in the Installation Kit. Even though the system can work without them, they are very helpful in the servicing of your system.

In conclusion, having an adequate and reliable watermaker can improve the quality of life on board more than almost any other piece of equipment. It is our sincere desire that you will be able to take full advantage of your new **Spectra Watermaker**, confirming that you have indeed made the best choice! And don't forget to tell all your friends!

Thank you from all of us at **Spectra Watermakers**.

Table of Contents

System and Start-Up Log	page 4
Shipping and Shopping Lists	page 5
Features	page 7
Specifications	page 8
Component Description	page 9
Operating Procedures	page 13
Shutdown Procedures	page 16
Maintenance	page 18
Membrane Cleaning Procedures	page 19
Membrane replacement	page 21
Installation Basics	page 22
General Plumbing	page 23
Component Placement	page 25
Clark Pump Diagram	page 27
Component Dimensions	page 28
Plumbing Diagram	page 29
Plumbing Detail Diagram	page 30
Clark Pump Mounting Diagram	page 31
High Pressure Tube Instructions and Diagram	page 32
1/4" Tube Fitting Instructions Diagram	page 33
Mounting Templates	page 34
Electrical	page 35
Wiring Diagram	page 36
Troubleshooting	page 37
Warranty	page 38

System and Start-Up Log

System Information

Model Number	_____
Serial Number	_____
Date Purchased	_____
Purchased From	_____ _____ _____
Installation Date	_____

Start-Up Performance Readings

Measure after 3 and 24 hours of pressurized run time in similar conditions.

	3 hrs	24 hrs
Feed Water Temperature	_____	_____
Battery Voltage	_____	_____
Amperage Draw	_____	_____
Feed Pressure (psi)	_____	_____
Product Water Flow (gph)	_____	_____

Shipping List

Standard System

- (1) Operation and Installation Manual
- (1) Clark Pump
- (1) Membrane and Housing Assembly
- (1) Main Pump Module including:
 - Pumps, heat sinks, and cooling fans
 - Sea water strainer
 - Accumulator tank
 - Monitor and control panel
 - Automatic salinity control system
 - Automatic fresh water backflush system
 - 20 and 5 micron pre-filter assemble
- (1) Remote Control Panel and Wiring Harness
- (1) Installation Kit Including:
 - Clark Pump mounting hardware
 - Membrane housing assembly mounts
 - (10') high pressure tube
 - 50' of 5/8" hose
 - 25' of 1/4" product tubing
 - Hose and tube fittings
 - Hose clamps
 - One container of SC-1 storage chemical

Options

- Clark Pump Mounting Bracket
- Basic Cruise Kit
 - Includes three 20-micron filters, three 5-micron filters, and two SC-1 storage chemical containers
- Offshore Kit
 - Includes Clark pump seals, tools, two SC-2 cleaning chemical containers, and overhaul instructions
- Spare Feed Pump
- Hand held salinity monitor

Shopping List

In addition to the installation kit.

Refer to manual for wire size and type of fasteners

Fasteners/Hardware for mounting components to desired surfaces.

Marine grade duplex wire, connectors and wire ties with mounts.

One 2 gallon plastic mixing container.

One 25 amp fuse or circuit breaker switch

Tools Required

Wrench set to 7/8"

Adjustable wrench

3/8" drill, drill index and a hole saw set

Jig saw or coping saw

Screwdrivers

5/16" nut driver for hose clamps

Wire cutter

Wire stripper

Electrical crimping tool for insulated connectors

Features

The **Spectra Gulfstream** a full featured, semi-modular version of the Spectra 380c. It is ideal for larger sailing and motor yachts. Powered by DC current, a generator set is not mandatory.

Using the patented Clark Pump and paying careful attention to system efficiency, the **Spectra Gulfstream**, in the efficiency mode, operates on a fresh water to power ratio that surpasses everything in the marine industry. The system makes an average of 9 gallons per hour on 9 amps @ 12.5v DC, less than *13 watt hours* per gallon! That means that making one gallon of fresh water is like running only a small DC cabin light for one hour! In high production mode, the **Spectra Gulfstream** produces up to 17 gallons per hour using less than 20 amps.

The semi-modular design allows for easy installation. All of the pumps, pre-filters, automatic systems, gauges, controls, and service valves are mounted in and on a lightweight non-corrosive enclosure. The Clark Pump and the membrane are easily mounted in any convenient location. The system's feed pumps are self priming so they can be up to ***4 feet above the water line!***

The production of fresh water is stable through the system's normal operating sea water temperature and salinity range. Only the working pressures change with the water conditions. A typical leading brand 400 gallon per day unit running in 61 degree F water will only make 280 gallons per day. The **Spectra Gulfstream** will still be producing up to 400 gallons per day on a fraction of the power.

The automatic salinity control system, automatic fresh water flush system, and a full function remote control panel are included standard

Pressures are self-regulating, eliminating the need for adjustments, even when operating in brackish waters. The feed pressure is limited to 125 psi.

Self priming multi-diaphragm feed pumps are all that drive the system. No additional boost pump is needed, or even helpful. The **Spectra Gulfstream's** duplex pump system allows the choice of using one pump for maximum efficiency or both pumps for maximum production. Each pump includes a small low watt cooling fan.

A 20-micron and 5-micron dual pre-filter assembly is provided standard for maximum system life and reduced filter maintenance.

The system's noise level is exceptionally low and unobtrusive, especially compared to other systems of similar capacity. The feed pumps have a smooth, steady sound and almost no vibration.

An installation kit is included.

Spectra Gulfstream Performance Specifications:

Efficiency Mode (*one feed pump*)

Sea water temperature @ 50 degrees F (10 degrees C):

Voltage	Feed flow	Feed pressure	High pressure	Amperage	Product
13.8v	1.6 gpm (6.0 lpm)	82 psi (5.6 bar)	685 psi (46.6 bar)	9.6	9.3 gph (36.0 lph)

Sea water temperature @ 77 degrees F (25 degrees C):

Voltage	Feed flow	Feed pressure	High pressure	Amperage	Product
13.8v	1.6 gpm (6.0 lpm)	68 psi (4.6 bar)	570 psi (38.8 bar)	8.5	9.5 gph (35.2 lph)

Sea water temperature @ 90 degrees F (32 degrees C):

Voltage	Feed flow	Feed pressure	High pressure	Amperage	Product
13.8v	1.6 gpm (6.0 lpm)	68 psi (4.6 bar)	550 psi (37.4 bar)	8.4	9.5 gph (35.9 lph)

High Production Mode (*two feed pumps*)

Sea water temperature @ 50 degrees F (10 degrees C):

Voltage	Feed flow	Feed pressure	High pressure	Amperage	Product
13.8v	2.3 gpm (8.7 lpm)	110 psi (7.5 bar)	880 psi (59.8 bar)	21.2	15.0 gph (56.8 lph)

Sea water temperature @ 77 degrees F (25 degrees C):

Voltage	Feed flow	Feed pressure	High pressure	Amperage	Product
13.8v	2.6 gpm (9.8 lpm)	98 psi (6.6 bar)	700 psi (47.6 bar)	19.6	16.5 gph (62.4 lph)

Sea water temperature @ 90 degrees F (32 degrees C):

Voltage	Feed flow	Feed pressure	High pressure	Amperage	Product
13.8v	2.6 gpm (9.8 lpm)	98 psi (6.6 bar)	665 psi (45.2 bar)	19.1	17.0 gph (64.3 lph)

Sea water salinity @ 35,000 parts per million TDS

Salt rejection: 99.0% ~99.4% Typical purity test: < 400 mhos, 200 ppm, 99.4% pure
Performance Tolerance +/- 10%

Maximum Operating Temperature 113 degrees F (45 degrees C)

Dry weight: 80.5 lbs.

Component Description

Clark Pump

This is the heart of the system. The Clark Pump uses two opposing cylinders and pistons that share a single rod through a center block. A reversing valve, controlled by a pilot valve that is actuated by the pistons, allows the cylinders to alternate between driving and pressurizing. Pressurization is achieved by the rod being driven into the other cylinder. As the rod enters the cylinder, it pushes the piston which circulates the water out through the membrane and back to the reversing valve. The valve directs the water back into the same cylinder behind the piston, creating a *closed loop*. The rod displaces water as it enters the cylinder, raising the pressure enough for reverse osmosis to occur in the membrane, thus fresh water equal to the volume of the rod is produced on every stroke. The driving cylinder has feed pressure pushing on the top of the piston which has ten times the surface area than in the end of the rod. The water under the piston (brine) is discharged overboard. This gives the piston a 10-to-1 advantage over the rod, allowing it to drive the rod into the pressurizing cylinder. When the piston bottoms out on the center block, it actuates the pilot valve and the process is instantly reversed. High efficiency is achieved because there is no "back stroke," allowing one cylinder to always be under pressure.

The speed of this process is determined by the water flow from the feed pump. The feed pump has a nearly constant flow rate at a given voltage so the production of fresh water is nearly constant, only the pressures change with changes in sea water temperature and salinity. (see "Membrane" section)

A pressure relief valve and a reset button are incorporated in the Clark Pump to depressurize the system for priming and service and resetting the reversing valve if the Clark Pump is inadvertently stopped with the pilot and reversing valves at dead center.

Reverse Osmosis Membrane and Housing

The "RO" membrane element does the real work. A semi-permeable membrane and a capillary layer are attached and wrapped around a center catch tube then encased in fiberglass. The ends of the windings are open, allowing water to freely pass through from end to end. It is installed into a high pressure housing that directs the pressurized salt water to flow through the membrane and lets the product (fresh) water escape from the center catch tube. Threaded ports are provided for hose connections in the end caps of the pressure housing.

In the **efficiency mode**, approximately 85 gph of high pressure salt water flows *across* the membrane layer as 8.5 gph of fresh water is forced *through* the membrane and lead by a capillary layer to the catch tube. The excess salt water flowing out of the membrane is approximately 1/10th saltier and is called "brine." No salts are collected in the membrane. Membrane function is affected by sea water temperature and salinity. The warmer or less salty the water, the easier it is for the fresh water to pass through the membrane. This means that since the water production of the **Spectra** systems are nearly constant, warmer water lowers the operating pressures. The membrane is carefully sized to handle typical sea water temperatures and salinity, keeping the pressures within limits.

Component Description, cont.

Main Pump Module

***The following 9 items are pre-installed in the Main Pump Module**

Note: The main module components are pre-plumbed and wired at the factory. All installation plumbing connections are made to the outside. Main power wiring connections are made inside. The remote-control panel connects to a pig-tail outside. To gain access, remove the two 1/4” screws in the top panel, it will now hinge open. If further access is needed, the face panel is removable. By removing the eight mounting screws, valve handles, and disconnecting the tubes, the panel can be pulled clear enough for access without disconnecting the wiring .

***Dual Feed Pump System**

The system is simply two identical self priming, multi-diaphragm, *fan cooled*, feed pumps with that are plumbed in parallel. They are individually wired to separate control circuits to allow single pump or duplex pump operation modes. The single pump mode is used when energy efficiency is desired. The system can be run directly off charged batteries with out having a charging source running at the same time. Feed pressures average about 70 psi and the power draw averages 8.5 amps per hour. In duplex pump mode, feed pressure averages about 95 psi, drawing less than 20 amps per hour . It is very important that the cooling fans be operational when both pumps are running. Each pump is drawing almost 10 amps which may generate too much heat for the cooling fins to dissipate adequately in a high temperature environment. The high pressure cut out switches are are factory set at 125 psi.

***20 and 5 Micron Dual Pre-filter Assembly**

The pre-filters do the essential job of cleaning the sea water before it gets to the Clark Pump and R.O. membrane. Replaceable pleated fiber filters are used. Filter maintenance is crucial to the efficiency and life of the system. Five micron filtered sea water is important. A reverse osmosis system running on 5 micron filtered water will last much longer than one running on only 20 or 30 micron filtered water. The 20 micron filter plumbed in front of the 5 micron reduces filter maintenance.

***Accumulator Tank**

The accumulator tank is an air chamber divided by a rubber diaphragm. The top chamber is pressurized with air to 10 psi below the expected feed pressure. For example, if the feed pressure is 70 psi, the tank should be pressurized to 60 psi when the system is off. When running, feed water will enter the lower chamber until the pressures equalize. Its function resembles a cushion to smooth out the feed pressure spikes when the Clark Pump “shifts.” This will extend the life of the feed pump and quiet the shifts between strokes.

***Feed Pressure Gauge**

The feed pressure gauge is an indicator of system operational status. Higher than normal pressures indicates the need for pre-filter service.

Component Description, cont.

***Product Water Flow Meter**

The product water flow meter indicates the flow in gallons per hour. The reading is taken at the middle of the indicator ball.

***Power Control Module**

The Spectra power control module is a plastic enclosure that is mounted inside on the lid of the main enclosure. The power feed wires connect to the face. It has all of the power relays, fuses, and electronics for the feed pumps, the salinity control system, and the automatic backflush system. The module is connected to the ships power from a single breaker that is rated for all the system loads. The feed pumps, salinity and backflush solenoid valves, salinity probe, and the remote panel are all wired to the control module.

***Service Valve Manifold**

The service valves are in the feed, brine discharge, and product lines to provide easy access for proper maintenance. The service hoses attach to the panel face and are lead to a cleaning container. **IMPORTANT: The intake and discharge service valves will close off all the ports if the lever is moved to the “Off” position.** The product service valve cannot close the ports when the lever is moved half way. This precludes the possibility of blocking the product flow and causing an over pressure condition that could burst the tube. The salinity control solenoid, the backflush solenoid, and the feed water check valve are incorporated in the manifold.

***Salinity Control System**

The salinity control is integrated with the power control module and controls a product water diversion valve mounted in the service valve manifold. There are “reject” and “good” salinity indicator lights on the main and remote control panels. The salinity control continuously samples the purity of the product water. If the probe detects non-potable product the diversion valve rejects the product overboard.

***Automatic Fresh Water Backflush Systems**

Warning: The ship’s domestic water system must be pressurized before flushing

An automatic fresh water backflush system allows the operator to start a timed backflush cycle from the control panels. The automatic system incorporates a charcoal filter to remove chlorine, an electric solenoid valve, a check valve mounted in the service manifold, and a power relay to run one feed pump. When the timer is initialized the valve opens to let pressurized charcoal filtered fresh water into the feed system and one feed pump starts. The check valve prevents the fresh water from going out the intake thru-hull. The system will run until the salt water is flushed then automatically shuts down. Replace the charcoal filter every 6 months.

The pressure relief valve does not have to be opened during purging because the Spectra’s unique high pressure system will not generate membrane damaging excessive product flow when brackish or fresh water is introduced into a pressurized system.

Component Description, cont.

*** Remote Pressure Relief Valve**

The pressure relief valve on the panel face duplicates the function of the pressure relief valve on the Clark Pump. It is plumbed to a SS fitting on the top of the Clark Pump with high pressure 1/4” tubing. The high pressure 1/4” tubing is different than the product 1/4” tubing

and should not be interchanged. Opening the valve 1/2 turn will allow the system to be run without developing pressure. This is necessary for priming and membrane cleaning.

Remote Control Panel

The Spectra remote control panel is integrated with the Spectra power control module, salinity control system, and the automatic back flush system. The panel has switches for both feed pumps, a switch to start a backflush cycle, and lights that indicate when a feed pump is on, the backflush cycle is in progress, product water is being rejected, and when good product water is going to the tanks. The remote panel is wired to the power control module by a waterproof connector on a pig-tail.

Sea Water Strainer

The strainer filters the salt water to the feed pump. It has a cleanable, fine mesh, stainless steel element. The filter mesh is sized to stop debris that could jam in the pump's check valves. *A coarse strainer should not be substituted.*

Installation Kit

The installation kit includes 50 feet of 5/8" reinforced non-toxic feed and discharge hoses, 10 feet of 1/2" high pressure tubing, 25 feet of 1/4" plastic product water tubing, standard mounting brackets, and all of the required fittings and hose clamps for most installations.

Mounting Bracket (optional)

The mounting bracket is a powder-coated aluminum "L" bracket for easy bulkhead mounting of the Clark Pump. Two brackets can be used for overhead mounting.

Basic Cruise Kit (optional)

The kit includes three 20-micron and three 5-micron filters and the SC-1 storage and scale cleaning compound (pickling) for 2 storage procedures.

Offshore Kit (optional)

The kit includes all seals and o-rings, composite valve sleeves, field tools and rebuild instructions for the Clark Pump and the SC-2 alkaline membrane cleaning chemical compound.

Operating Procedures

New System Start-Up

Caution: Avoid running the system if the vessel is in contaminated water, such as in a harbor or canal. Membrane damage and pre-filter clogging may result. Move the vessel to cleaner water. If the boat cannot be moved, test the system by running the fresh water flush cycle 5 times with

the pressure relief valve open and again 5 times with the pressure relief valve closed with the product water diverted. This will flush the storage solution from the membrane. The system can now be run using a clean source of sea water in the cleaning container. Unchlorinated fresh water mixed with sea salt can also be used. Use the intake and brine discharge service hoses to recirculate the salt water from the container.

1. Check battery voltage. A nominal 12.8v DC to 14.4v DC should be indicated.
2. Confirm that the intake thru-hull is open and the strainer is clear.
3. Have the intake and brine discharge service valves in the normal run position and the product service valve in the "Service" position. Direct the product service tube to a container or into the bilge. **The pressure relief valve on the Clark Pump should be closed.**
4. **Open the pressure relief valve on the panel face 1/2 turn** and start one feed pump from the main or remote control panel. Listen for the feed pump to prime itself and the Clark Pump start to "shift." Check the brine discharge for water flow. Shut down the first pump and start the second pump. After the second pump is primed, the first pump can be restarted. Check the feed pressure, about 15-20 psi should be indicated between shifts with one pump running and about 35-40 psi with two pumps running. ***The pumps must be primed separately!***
5. Check the feed pump high pressure cut out switch set point. Do one pump at a time. With the system primed and running unpressurized, block the brine flow by moving the brine discharge service valve lever to the "Off" position. This will stop the water flow and cause the feed pump to shut off. Check the feed pressure gauge, it should be holding steady at about 115 to 125 psi. The pressure can be adjusted by tightening (higher pressure) or loosening (lower pressure) the Allen head set screw on the pump switch using a 5/64" Allen wrench. Repeat for the second pump. Now is a good time to check for leaks in the feed and brine connections as they are now pressurized to maximum.
6. Run the system unpressurized for 30 minutes after start-up to purge the pickling solution in a new membrane.
7. Close the pressure relief valve to pressurize the system and watch for the feed pressure to rise. If the pressure does not rise, check that the pressure relief valve on the Clark Pump is closed. Re-check the whole system for leaks, especially the high pressure hose connections. If any are found, turn off the system and repair them before continuing. Run the system under pressure for at least one hour while rejecting the product water. Compare the voltage, feed pressure, water temperature and amp draw to the specification table. The feed pressure should not spike more than 5 to 10 lbs. over normal when the Clark Pump shifts and should stay under 85 psi at all

Operating Procedures, cont.

times in the efficiency mode and under 100 psi in high production mode. The feed pumps should never be allowed to cycle their high pressure cut out switches on and off during the shift. The pump sound should remain almost steady. If the pressure spikes are high and/or the pump stops momentarily during the shift, check the high pressure cut out set point and/or check the accumulator pre-charge. *If the feed water is around 55 degrees or colder and/or is extra salty, the high production mode feed pressure might go high enough to cycle one pump on and*

off even when all else is normal. In those conditions only run one feed pump.

8. After one hour, the product service valve can now be switched the “Run” position to direct the flow to the water tank. The “Good” salinity indicators on the panels should light. Break open the product line to the tank to see if the water is flowing to confirm proper operation of the diversion valve.

9. At three hours of pressurized run time, and again at 24 hours, re-check for leaks and take note of the system feed pressure, product flow and amp draw, compare them to the specification page and enter them into the start up log.

Normal Start-Up

1. For normal start-up (meaning the unit has been run within the last 3 days, or has been flushed with fresh water only), start the system in the desired mode and close the pressure relief valve, if it is open. The automatic salinity control will reject any brackish product water with the diversion valve and the red “Reject” indicator will light. When the salinity probe detects potable water, product is directed to the tank and the “Green” indicator will light.

2. If air is in the system and one or both feed pumps have lost their prime, open the pressure relief valve and run one pump at a time to purge the system. ***The feed pumps cannot prime if their output is under any pressure. Remember to purge the pumps separately.***

3. After starting and pressurizing the unit, check for leaks and wait for it to stabilize, then check for proper readings (**see Specifications, page 8**). Air in the system will cause erratic shifts and readings until it is purged out of the system. This may take up to 10 minutes.

Warning!

On start up, if the feed pressure keeps rising until the feed pumps shut off and the Clark Pump is not shifting, depressurize the system and press the reset button on the side of the reversing valve on the Clark Pump, *all the way in*, to unstick the system. To avoid a stall condition, always turn off the system right *after* the Clark Pump “shifts”. Also check that the service valves are in the normal run position.

Pickled System Start-Up

If the system has biocide in it (also known as “pickling” or storage solution), open the pressure relief valve 1/2 turn and run the system unpressurized for 30 minutes to purge the biocide. Attach the product service line lead to a container or into the bilge. Switch the product service valve to the “Service” position to manually reject any product water. Close the pressure relief valve to pressurize the system. Run for another 30 minutes then switch the product service valve back to the “Run” position.

Operating Procedures, cont.

Unknown Condition Start-Up (CAUTION: Do not start the system yet!)

If the system has been left unpickled for an extended length of time or the history is unknown, perform this simple test **before** running the system:

Open the pre-filters and inspect their condition. If the filters are black and smell bad, that’s one indication that the system is fouled. Install new or cleaned pre-filters. Attach the brine discharge service hose and place it into a container and move the brine discharge service valve to the “Service” position. Open the pressure relief valve and start the system. Watch the

brine that first comes out. If the water is discolored and smells bad, perform an SC-2 cleaning on the system before pressurizing (see cleaning instructions). Pressurizing a system with a fouled membrane will compact the biological growth into the membrane and make it harder to clean. If the water is only slightly discolored and smells OK, perform a ***Pickled System Start Up***. Compare the system readings to the performance specifications to see if the system is performing properly.

Normal Operation

Spectra Watermakers are designed to run continuously with only pre-filter maintenance performed as necessary. Ideal performance is achieved by running the system until the tanks are full, turning off the system, then starting the flush cycle.

In moderate climates, if the membrane is mounted in a cool place, it is not necessary to flush the system every time if the unit is used once every one to two days. Flush the system if it's not going to be operated for more than two days and up to one week. Flush the system after every use in hot conditions. Pickle the system if longer periods of non-operation are expected.

Running the unit during charging cycles will produce more water because of the higher voltage (see Performance Specifications). System readings should be periodically checked and compared to the start-up log readings and performance specifications. Look for asymmetrical readings and listen for any change in the sound of the system that may indicate potential problems.

The system's automatic salinity control manually diverts any brackish product water into the brine discharge and the "Reject" light will illuminate. When potable water is detected, the "Good" light will illuminate and the product will be directed to the tank.

Use the high production mode (both feed pumps running) when the batteries are under charge.

Use the efficiency mode (one feed pump running) when the batteries are not being charged.

If too much air is introduced into the system when the system is running and pressurized, the feed pumps will cavitate and water flow will stop or only one will cavitate and the production will be fall to the efficiency mode level. This will not damage the system. Open the pressure relief valve and reprime the feed pumps separately.

All reverse osmosis watermakers are affected by water temperature and salinity. The **Spectra** operating pressures will rise with colder temperatures and/or higher salinity, and fall with warmer temperatures and/or lower salinity, but the product flow is affected very little.

Shutdown Procedures

When not in use, biological growth in the membrane is the leading cause of membrane fouling. A warm environment will cause faster growth than a cold environment. The following procedures assume a warm environment, such as in the Tropics.

Normal Shutdown,

Run system to fill the tanks. Check system for normal operation. If OK, listen for the Clark Pump to “shift” then immediately turn off the power. There is a small chance that the Clark Pump will be left in a stalled condition if it is shut down during a “shift”. Make sure that the ship’s pressure water system is on, then start the flush cycle with the backflush momentary switch on the main or remote panel. When the system turns itself off, service the pre-filters and strainer if necessary. In moderate climates, the system can be left unflushed for one to two days. In hot conditions, flush the system after each use.

On the next start up, if the Clark Pump is found to be stalled, turn off the system, open the pressure relief valve, and push the reset button on the right side of the reversing valve in completely, then restart. It is good practice to close the intake thru-hull after use.

Storage Shutdown or "Pickling,"

The Spectra SC-1 Storage and Cleaning chemical is specially formulated to be able to clean mineral scale *and* be used as a system preservative. Sodium bisulfite or metabisulfite should not be used as a preservative in the Spectra systems. Use of sodium bisulfite will attack materials used in the Spectra systems and void the warranty.

The SC-1 Storage and Scale Cleaning Compound has to be mixed at 1 Spectra container to 3 gallons of fresh water to have the proper solution. An average of two gallons of water is in the Spectra system. This water has to be figured in the mixture

1. Attach the service hoses to the face of the unit and direct them to at least a clean 2 gallon plastic or SS mixing container. With the pressure relief valve open, start the backflush cycle. After the backflush ends, turn the brine discharge service valve to the “Service” position. Restart the backflush cycle, and allow one (1) gallon of product water to flow into the container then turn the brine valve back to “Run”. Let the backflush stop automatically or reset it by turning off the main power. ***Do not use tap water or chlorinated water!***

If the automatic backflush system is not functional, perform a manual backflush for pickling in the following manner. Attached the service hoses and lead them to a 5 gallon container. Close the pressure relief valve and start the system normally. When the green “good” indicator light comes on, turn the product service valve to the service position. Fill the 5 gallon container with product water then shut the system down. Switch the intake service valve to the “service” position. Open the pressure relief valve and start the system. Allow four gallons of product water to flush the system, keeping one gallon in the container. Continue with step # 2.

Shutdown procedures cont.

2. When the back flush cycle stops and one gallon of fresh water is in the container, mix one container of the SC-1 into the cleaning container. Re-check that the pressure relief valve is open. Turn the intake and brine discharge valves to the “Service” position, reprime both pumps, then run the system with both feed pumps on for 10 minutes. Light discoloring of the solution is acceptable.

Do not let skin, eyes, or lungs have any contact with the storage and cleaning chemical.

If the solution becomes excessively discolored, mineral scale and live biological growth may be present and membrane cleaning is recommended. Refer to the membrane cleaning section for further instructions.

3. After 10 minutes, turn the brine discharge valve to the “Run” position. When the container is empty, shut off the system.

4. Close the intake thru-hull and turn the intake service valve back to the “Run” position. If the system shares an intake thru-hull, move the intake service valve lever to the “Off” position. This will close off all ports and isolate the watermaker.

5. Remove and clean the sea water strainer screen and pre-filters. Reassemble dry.

6. When returning the system to service after pickling, check that the intake thru-hull open and service valves are in the “Run” position. Run *unpressurized* for at least 30 minutes to purge the system. Manually discard the product water for another 30 minutes after pressurizing.

7. To *winterize*, Open the pressure relief valve and flush 5 gallons of potable water system antifreeze through the system instead of using the normal SC-1 storage procedures.

Maintenance

The Seawater Strainer

The sea water strainer's stainless steel element should be inspected, removed and cleaned as needed. Be careful to ensure that the thru-hull is closed before disassembly and the seal and element are in place on reassembly. When the system is put into storage, remove, rinse and reassemble dry to impede corrosion. Check frequently during operation.

The Micron Pre-filters

Service the pre-filters when the feed pressure is about 5 psi over normal for the conditions. The easiest way to service the filters is to first shut off the thru-hull, open the housings, discard the old filters, remove the O-rings to avoid loosing them, and clean the housings. Reinstall the O-rings and reassemble the pre-filters with new 20 and 5-micron filter elements. The 5-micron filter goes down stream from the 20-micron. Leave dry until the next start-up.

Used pleated elements can be carefully cleaned if they are not too compacted. Do not use full pressure from a garden hose or scrub with a hard brush on the pleats. Gently spray the outside with water and then plug one end with your hand, filling from the other end to flush from the inside. Be careful to not distort the pleats. Another way is to tow them behind the boat until clean, 4 knots maximum. Slip a line through the filter and tie a stopper knot. Elements that show *any* signs of deterioration should be replaced. Check for leaks on the first run after a filter service.

The Charcoal Backflush Filter

Replace the charcoal filter element every 6 months.

The Membrane

The membrane needs to be cleaned only when it has lost up to 10% of its capacity due to fouling or the product quality degrades. The leading cause of fouling is from biological growth that occurs when the system is left unused for long periods without flushing or pickling. Fouling from mineral scaling can happen under certain sea water conditions, and from rust. Poor tasting water or the "Reject" light on continuously and/or higher than normal pressures and amp draw for the sea water temperature and salinity conditions are the main indicators of membrane fouling. Other conditions can cause high pressure (such as in very cold water). Low product flow is usually due to low voltage or a clogged pre-filter. Look for all other causes before cleaning the membrane.

There are two types of cleaners; acid and alkaline. The acid cleaner (SC-1) will remove mineral scaling and kill live microbes and is also used for storage. The alkaline cleaner (SC-2) is used to remove biological by-products, oil, and dirt particles that get past the pre-filters. If membrane performance is reduced and has not been pickled recently, cleaning with both chemicals is recommended. The acid cleaner should be used first. The acid cleaner is also used as the storage solution so scale is automatically reduced when the system is "pickled". If biological growth is suspected, the alkaline cleaner can be used on the next start up after the unit has been pickled.

If the membrane fails to respond to both cleanings, this is an indication of another problem with the system, or that it is time to replace the membrane. Call **Spectra Watermakers** before removing a membrane.

Membrane Cleaning Procedures

For normal cleaning, the SC-1 Storage and Cleaning Compound is used first, then the SC-2 Alkaline Cleaning Compound. If the unit has been “pickled” recently with the SC-1 solution then some cleaning has already occurred, so use the SC-2 first. If the membrane does not respond to the SC-2 use the SC-1, following the normal cleaning procedures. Using hot water, 120°, is highly recommended as it greatly enhances the ability of the cleaners to do there jobs.

If the history of the system is unknown or has been left “unpickled” for an extended length of time and biological growth is present, it is recommended that the system is cleaned with the SC-2, using an alternate source of unchlorinated fresh water before the system is run under pressure. A simple test can be performed to see if biological growth has occurred: Before running the system, remove the pre-filters and examine their condition. If the housings are full of discolored smelly water, the system was not properly stored. Install clean pre-filters if they were bad. Next check the membrane. Attach the brine discharge service hose and lead to a container. Open the pressure relief valve 1/2 turn and turn the brine discharge service valve to the “Service” position. Run the system for one minute. Examine the brine water; if it’s discolored and smells bad, perform a SC-2 cleaning with an alternate source of unchlorinated water before running the system pressurized. If the brine is fairly clean, the system can be run normally and checked for performance. Clean the membrane only if its performance is reduced.

Cleaning Procedures

Note: procedures are the same for the SC-1 and SC-2 cleaners

The SC-1 and SC-2 Cleaning Compounds have to be mixed at 1 Spectra container to 3 gallons of fresh water to have the proper solution. Do not mix yet! An average of two gallons of water is in the Gulfstream system. This water has to be figured in the mixture. The cleaning solution needs to be heated to 120° F. A stainless steel pot and a hot plate instead of the cleaning bucket is one way. An accurate thermometer is necessary. Do not let the solution get over 135° F!

1. Attach the service hoses to the face of the unit and direct them to heated container. Make sure the domestic water pressure system is on then start the automatic backflush system. When the flush cycle stops, move the brine discharge to the “Service” position and restart the flush cycle. Allow one gallon of flush water to flow into the container, then move the brine discharge valve back to “Run”. **Do not use tap water or chlorinated water!** Distilled or charcoal filtered water is acceptable if using the flush water is not an option.

3. Open the bypass valve one half turn, this is important! Mix 1 Spectra chemical container into the 1 gallon in the container **Do not let skin, eyes, or lungs have any contact with the storage and cleaning chemical.**

3. Place the intake, brine discharge, and product service valves in the “Service” position. Start heating the water.

4. Re-prime both feed pumps and run the system unpressurized for one hour while maintaining the solution at 120° F, then turn off for one hour to let the membrane soak. Run the system again Membrane cleaning, cont.

for 1 hour while heating the solution, then turn off for one hour. Do not let the water get above 135° F!

5. Turn the brine discharge service valve to the “Run” position, then run the system until the container is empty.
6. Place the intake service valve to the “Run” position. Run the system unpressurized for at least 30 minutes to purge the cleaning solution.
7. After purging, close the pressure relief valve to pressurize the system. Manually divert the product water with the product service valve into the cleaning container. After 30 minutes, check the feed pressure, product flow, and quality, to determine if the membrane is functioning normally. If the cleaning solution became very discolored during the cleaning process, it is recommended to repeat the process. If the alkaline cleaning did not affect the membrane enough, repeat the cleaning process using the acid cleaner. Always manually reject the product water for 30 minutes after cleaning.
8. If the membrane performance is still poor and no other problem can be found, contact **Spectra Watermakers** for further assistance.

Membrane Element Replacement

Do not remove the membrane from the housing unless absolutely necessary. Troubleshoot for all other causes of poor performance and try the recommend procedures first.

Caution: membranes must be kept wet to prevent permanent damage.

Disassembly:

Disconnect the high pressure tubes, cut the housing mount bands, and move the membrane housing to a work area that can handle water spillage. Clean off any deposits on the ends with a stiff brush and fresh water. Note which end goes where so they can be reinstalled the same way later.

Loosen the retainer rings with an adjustable deck fill fitting wrench or use a hard plastic or wood punch and a mallet on the slot provided. As the retainer rings unscrew, twist and pull the end fittings to follow the rings out. This way they can be removed with the factory plumbing fittings in place. By first removing the plumbing fittings, the rings can be removed and then the end plugs removed from the housing. Inspect the end plugs and O-rings for damage, replace if necessary.

Push the membrane element out of the housing by first pushing on the outlet end. If it resists, try pushing on the other end. If the membrane is going to be kept for any reason, seal it in plastic before it dries out. Do not open the new membrane packaging until ready to install.

Assembly:

Install the *inlet* end plug first. Lubricate the O-rings and the housing with soap or with a very thin layer of a pure silicone lubricant and start threading on the ring end plug assembly. As the end fitting O-ring comes into contact with the housing, twist and push on the end fitting to properly insert the O-ring, then continue tightening the retainer ring. If the tube fittings were removed, lubricate and insert the end plug then install the retainer ring and the plumbing fittings. Check that the new element has a brine seal on one end only. Lubricate the element brine seal and wet the whole inside of the housing. Insert the brine seal end of the element into the *outlet* end of the housing. A gentle push with a slight rocking motion and help with fingers should compress the brine seal lip so it slips inside. Push the element into the housing, the brine seal will give some resistance, until it completely engages the inlet end plug. The element product catch tube engaging and passing through the small O-rings can be felt. The element brine seal should now be next to the *inlet* plug.

Install the outlet end plug the same way as the inlet. It will go in harder because of the product tube O-ring engaging the element.

A new membrane has a pickling solution in it and should be thoroughly flushed before use. Follow the new system start up procedures.

Open the pressure relief valve 1/2 turn and start the system. Look for leaks at the end plugs. If a large leak is present, the large O-ring around the end plug is not seated properly and the end plug will have to be removed and redone. After flushing, close the relief valve and check system for proper operation.

Installation Basics

The **Spectra Watermakers** are designed for energy efficiency. All aspects of the system have been optimized for this goal, therefore any changes in the basic layout or components will most likely reduce this efficiency. The overall length of the feed, discharge and high pressure hoses have little effect on performance and can even help smooth out the Clark Pump shift pulses but that every hose bend or 90 degree fitting absorbs power. Avoid adding 90 degree fittings. Use gentle hose bends where possible. A good installation will be a proper compromise between minimum hose and wire runs, accessibility, environment and esthetics.

Thru-hulls

It is recommended that a designated 3/4" intake thru-hull and seacock be installed for the system as far below the water line as possible. A protruding scoop type is preferred for high speed hulls. Sharing a thru-hull with another system is acceptable, but can introduce unforeseen problems such as intermittent flow restriction, air bubbles and contaminates. If the system is sharing an intake thru-hull, the intake service valve can be used to shut off water to the system. For racing boats a retractable snorkel type thru-hull fitting is preferred to be able to pick up water away from the hull.

Do not install the intake close to or down stream of a head discharge. Install as far below the water line and as close to center line as possible to avoid contamination and air induction.

We recommend that a reputable boatyard install any underwater thru-hulls.

The discharge thru-hull should be mounted above the waterline, in or just above the boot stripe to minimize water lift. Having the discharge feed into a cockpit or sink drain will work, but can make an unpleasant gurgle sound.

Double clamp all hose connections below the water line if possible.

Fittings

Pipe fittings that are to thread into plastic should be coated with at least 3 wraps of Teflon tape. To avoid cracking the plastic, tighten until only 1/2 of the threads are buried. This may not seem tight, but they will not, and should not, bottom out like a metal to metal connection.

Metal to metal pipe connections should have 1-1/2 to 2 Teflon wraps only.

Be very careful to avoid getting any tape over the end of the fitting that might get into

the system. To insure this does not happen, leave the very first thread uncoated.

General Plumbing

Follow the Clark Pump and Plumbing Diagrams on pages 27, 29, and 30 for hose and tube connections. All feed and discharge hoses are made of 5/8" reinforced nylon. The high pressure tubing is 1/2" OD connected with 1/2" tube to pipe 316 SS compression fittings. The 90 degree high pressure SS tube fittings mounted in the high pressure in and out on the Clark Pump can be **rotated** up to 1/2 turn for better tube runs. Straight SS tube fittings can also be used. The product water lines are 1/4" black plastic tubing with connectors. Feed water operating pressure up to 125 psi requires **vigorous** hose clamp tightening. It is recommended to lubricate the clamp screw and use a nut driver for the final tightening. **Double clamp** all connections that are below the water line on the suction line to the feed pump. **Re-tighten** all hose clamps and check for leaks after the first few hours of running.

If you use feed hose or product tubing that is not supplied by **Spectra Watermakers**, it is mandatory to use products with a **minimum burst pressure of 250 psi**. If other types of pre-filter housings are used, they need to be rated at 125 psi minimum working pressure.

Feed and Discharge Hoses

Route the 5/8" hose smoothly from the intake thru-hull to the strainer, main module, Clark pump, back to the main module, and then to the discharge thru-hull. Use straight hose fittings and gentle turns in the hose where possible. **Minimum hose bend radius is 6"**. Tightly secure hoses with tie wraps to avoid chafe.

High Pressure Tubes

Be sure to follow the Clark Pump and Plumbing Diagrams for proper connection between the Clark Pump and the membrane housing. Membrane water flow direction is marked on the housing. **Rotate** the 90 degree high pressure tube fittings on the Clark Pump for ideal tube runs. The high pressure tubes are usually made in place. Loosely route the tubes between the Clark pump and the membrane and cut long. Minimum tube bend radius is 6". **Follow the tube connection instructions on page 32**. Connect the tubes to one of the components, secure the tube runs, and then trim and connect to the other component. A 90 degree bend in a hose is better than a 90 degree fitting. A tube, when mounted, should have at least **one gentle bend** to allow for expansion. Do not connect a tube straight between hard mounted fittings.

If other than the Spectra supplied tube and fittings are used, they need to be at least 1/2" ID if hose, 1/2" OD if tube, with non-ferrous 1/2" high pressure fittings and have a working pressure of at least 2000 psi.

When connecting the tubes to the components, be sure to hold fitting body during the final tightening.

General Plumbing, cont.

Remote Pressure Relief Valve Tubing

A coil of high pressure 1/4" plastic tubing is pre-connected to the pressure relief valve inside the enclosure at the factory. Lead this tubing along with the feed and brine hoses to the Clark Pump, trim to fit, and connect to the 1/4" SS fitting on the top of the Clark Pump reversing valve. *Follow the high pressure tube fitting assembly instructions on page 32.* The pressure relief valve on the Clark Pump should remain closed for normal operation.

The product 1/4" tubing is not rated for high pressure and cannot be used for the pressure relief valve system.

Product Water Tubing

The product water lines are 1/4" plastic tubing. Minimum tube bend radius is 3." Connection can be made to either end of the membrane housing. *Refer to the tube fitting assembly diagram on page 33.* **IMPORTANT: The product water flow should not be restricted in any way. If the line gets blocked, the pressure will build until the line fails. Restricting the flow will reduce efficiency and may cause damage to the membrane.** Connect to the water tank at or near the top. The ideal spots are to tee into the tank vent line or the fill hose. Do not tap into the bottom of the tank or a water feed manifold. Air can be pulled through the membrane and affect the domestic water system.

Fittings

Pipe fittings that are to thread into plastic should be coated with at least 3 wraps of Teflon tape. To avoid cracking the plastic, tighten until only 1/2 of the threads are buried. This may not seem tight, but they will not, and should not, bottom out like a metal to metal connection.

Metal to metal pipe connections should have 1-1/2 to 2 Teflon wraps only. Be very careful to avoid getting any tape over the end of the fitting that might get into the system. To insure this does not happen, leave the very first thread uncoated.

Component Placement

Refer to the Dimension & Plumbing Diagrams on pages 28 & 29

Main Pump and Control Module

The main pump module is designed to mount on a horizontal surface that can be up to 4' above the waterline. Locate in an area that allows easy access to the face panel and the service hoses can reach a container placed in a spot where water spillage is acceptable. Allow for a minimum of 2" of clearance on the sides and 13" over the top, and at least 1" of clearance at the back. Extra space over the top is preferred for easier internal access through the hinged top. Use the unit itself as a template for drilling the mounting bolt holes. Use quarter inch bolts or lag screws with washers. If lag bolts are used they must thread into at least 1" of solid material. Drill pilot holes for lags bolts.

Clark Pump

Refer to the the Clark Pump Mounting Diagram on page 31 to install the mounting brackets and shock mounts. Bolt the mounting brackets to the base of the center block with the short 5/16" SS bolts and washers, sandwiching the plastic washers in between the center block and the brackets. The brackets will over hang from the front and back of the center block. Moisten the rubber shock mounts and slip them into the bracket holes then install the plastic inserts.

The Clark Pump can be mounted on any horizontal surface that will support it's weight and is not subjected to excessive vibration. Height above or below the water line is unrestricted. Mounting on a vertical surface can be expedited by using the optional "L" mount bracket. For hanging from overhead, use two of the "L" brackets. Avoid mounting in the middle of a large unsupported flat surface that could amplify the sound of the pump shift. The Clark Pump can be mounted in any position if it is hard mounted without using the brackets. More noise may be transferred to the vessel.

Allow room in the front and back for access to the high pressure tubes and hose connections. If the space behind the unit is restricted, attach the high pressure tubes to the Clark Pump before final mounting. The 90 degree fittings supplied are acceptable for the feed and high pressure tube connections to the unit and can be rotated for easy tube runs. Straight fittings can also be used. The brine discharge hose connection to the reversing valve body should be straight if possible, and can be connected to either end of the reversing valve. Plug the unused port.

Make sure that the area around and under the pump does not have any water sensitive equipment. Water will be spilled during any repairs or if a leak occurs.

Use the Clark Pump mounting hole template, see page 34, to mark and drill for the fasteners. 1/4" bolts and Nylock nuts are preferred, but lag bolts are acceptable if they penetrate at least 1" into solid material. Drill pilot holes for lags bolts.

Caution: Tighten the fasteners until there is light pressure on the plastic inserts. The plastic inserts will collapse if over tightened. The 1/4" fender washer must be on top to prevent the mounting brackets from slipping out of the rubber mounts under adverse conditions.

Do not mount the Clark Pump in an area that is subject to sustained temperatures over 120 degrees F.

Component Placement, cont.

Membrane and Housing Assembly

Mount the membrane and housing assembly as close to the Clark Pump and in as cool a

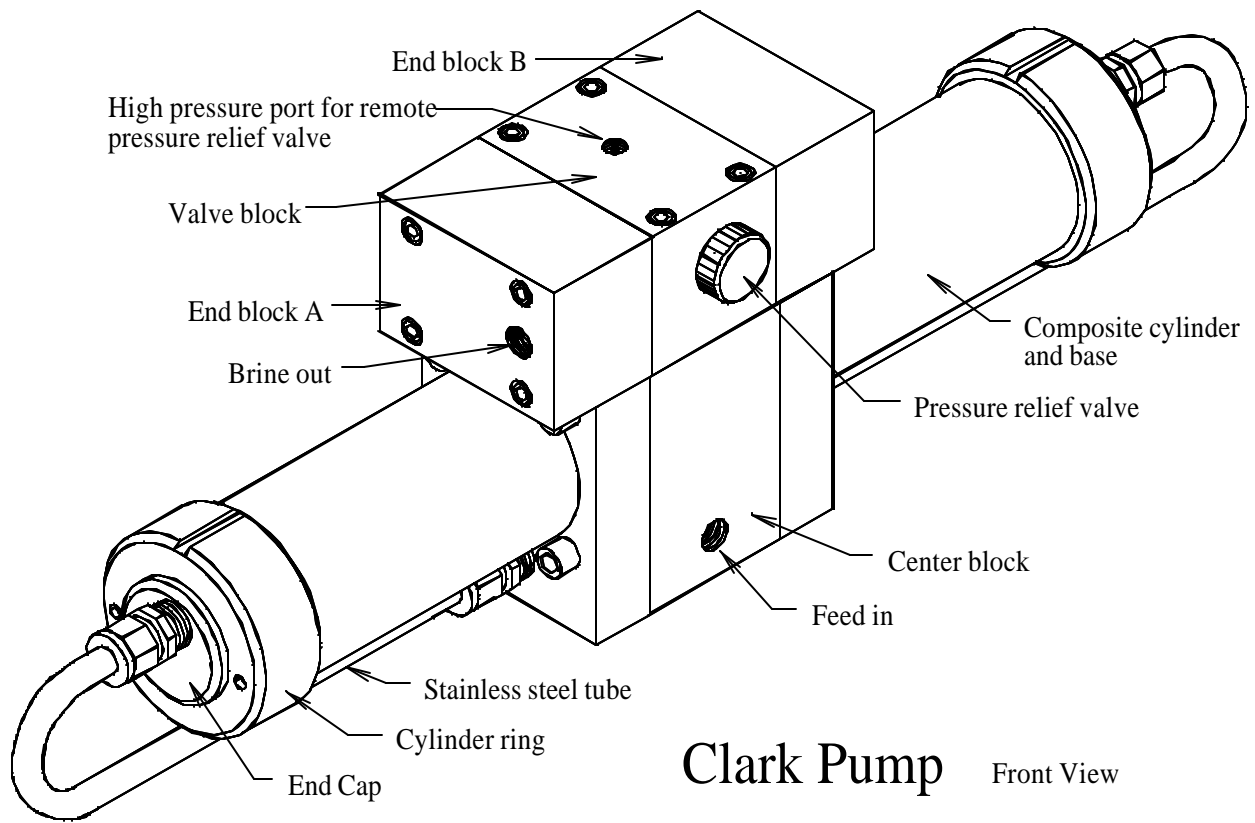
place as possible. Use the black plastic brackets and heavy duty black tie wraps provided. The plastic tie wraps allow the membrane housing to expand and contract with pressure changes without damage. Mount the membrane preferably at or below the level of the valve body on the Clark Pump to help purge air. It is OK to mount the membrane above the Clark Pump, but keep it as close as possible. The membrane housing is marked for water flow direction and can be mounted at an angle or vertical, but the ***brine outlet end should be up to help purge air***. Route the high pressure tubing to and from the membrane housing as smoothly as possible. Avoid clamping the tubes tightly to any surfaces for sound dampening. "Hanging" the tubes away from a surface with wire ties so that they are neither tight nor completely loose is best.

The product water tube can be connected to either end of the membrane. Plug the unused product port and re-label.

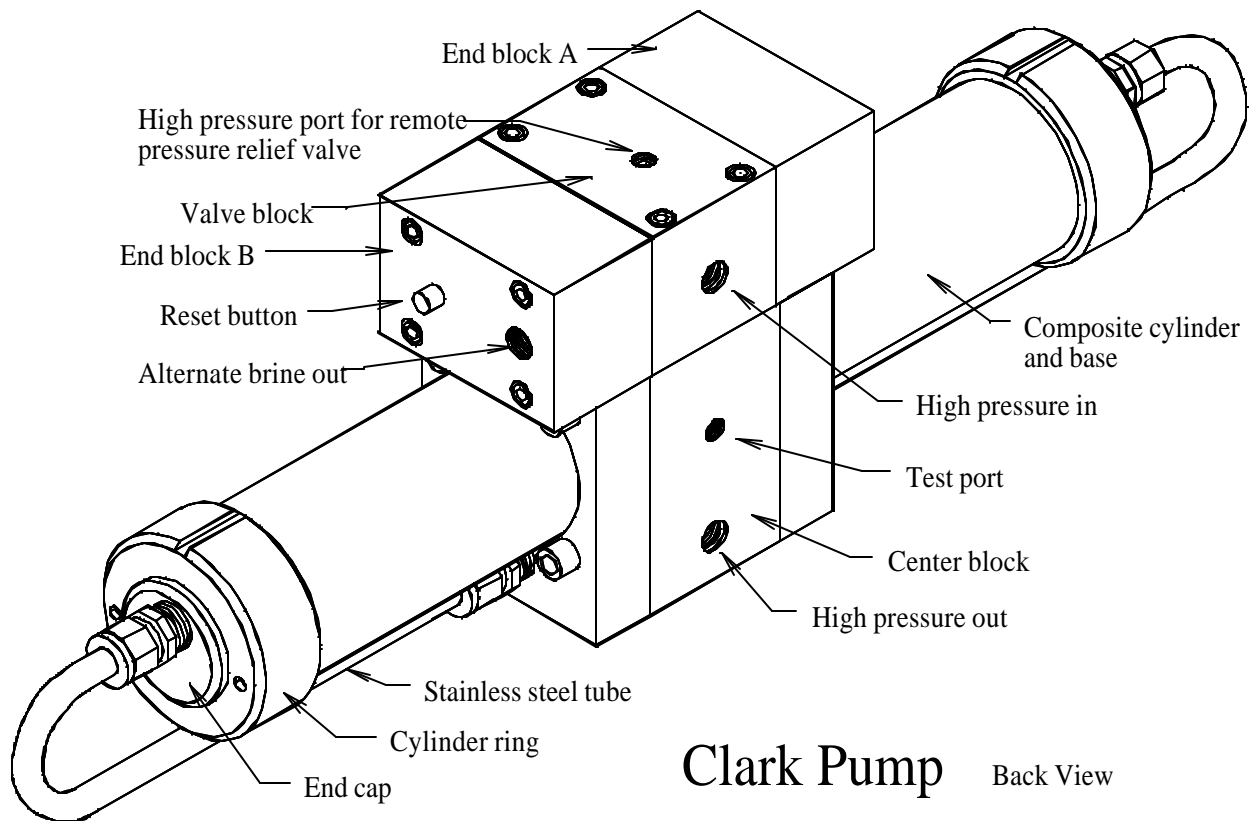
Do not mount the membrane in an area that is subject to sustained temperatures over 120 degrees F.

Remote Control Panel

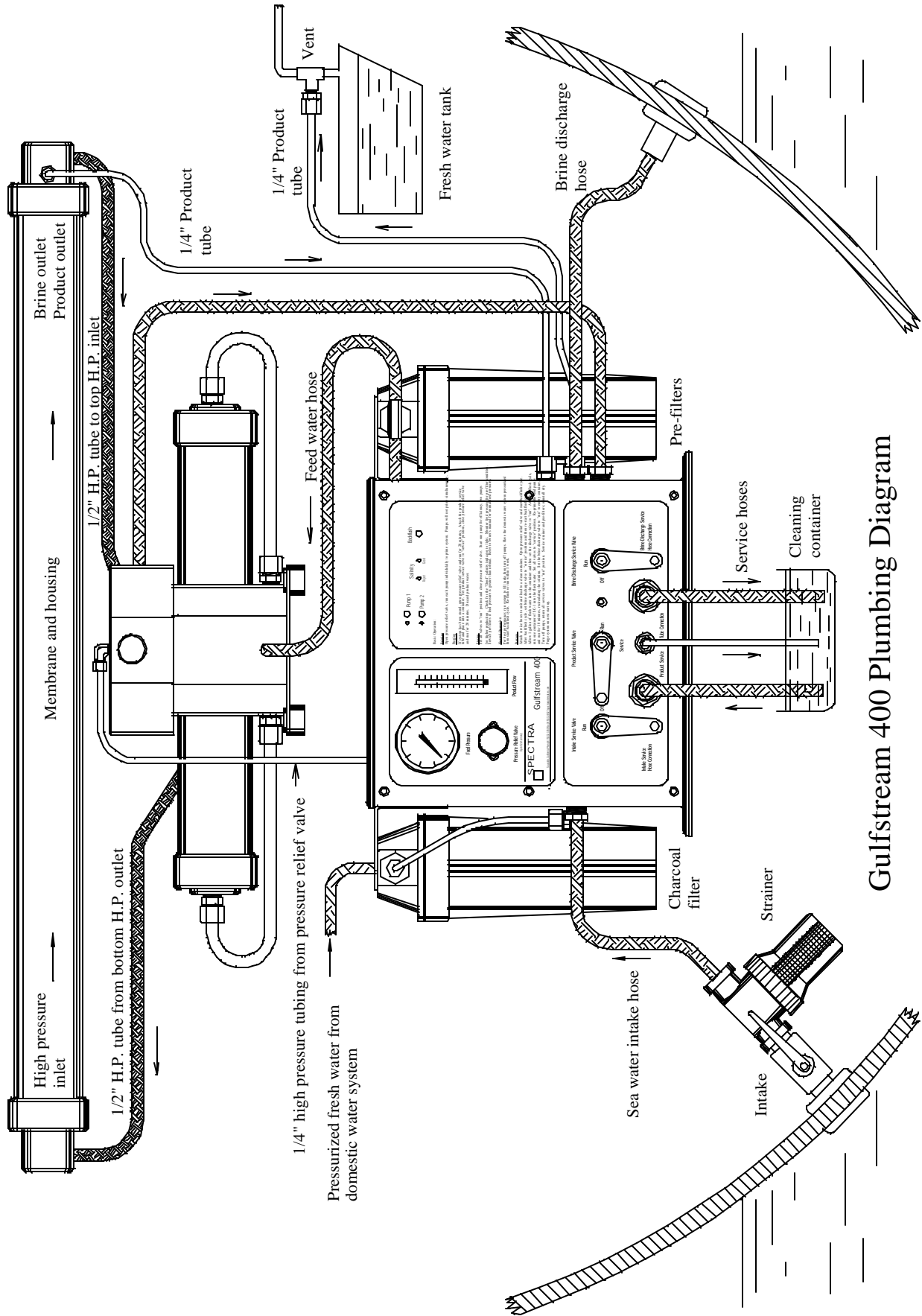
The remote control panel can be mounted anywhere that's dry and convenient. ***Use the cut-out template on page 34***. The dotted lines show where the sides of the panel will be. If the mounting area is finished wood, tape the outside perimeter of the cutout and use a reverse tooth saw blade to prevent splintering. Run the remote panel cable through the cutout, to the main pump module, and connect to the pigtail plug coming from the power control module inside the main module. The remote panel harness can be disconnected from the terminal strip on the remote panel if necessary. The terminals are labeled for the wire colors. If access to the back of the panel is limited, leave enough cable to be able to take the panel off for servicing. Fold the extra cable back through the cut-out and secure the panel with # 4 screws.



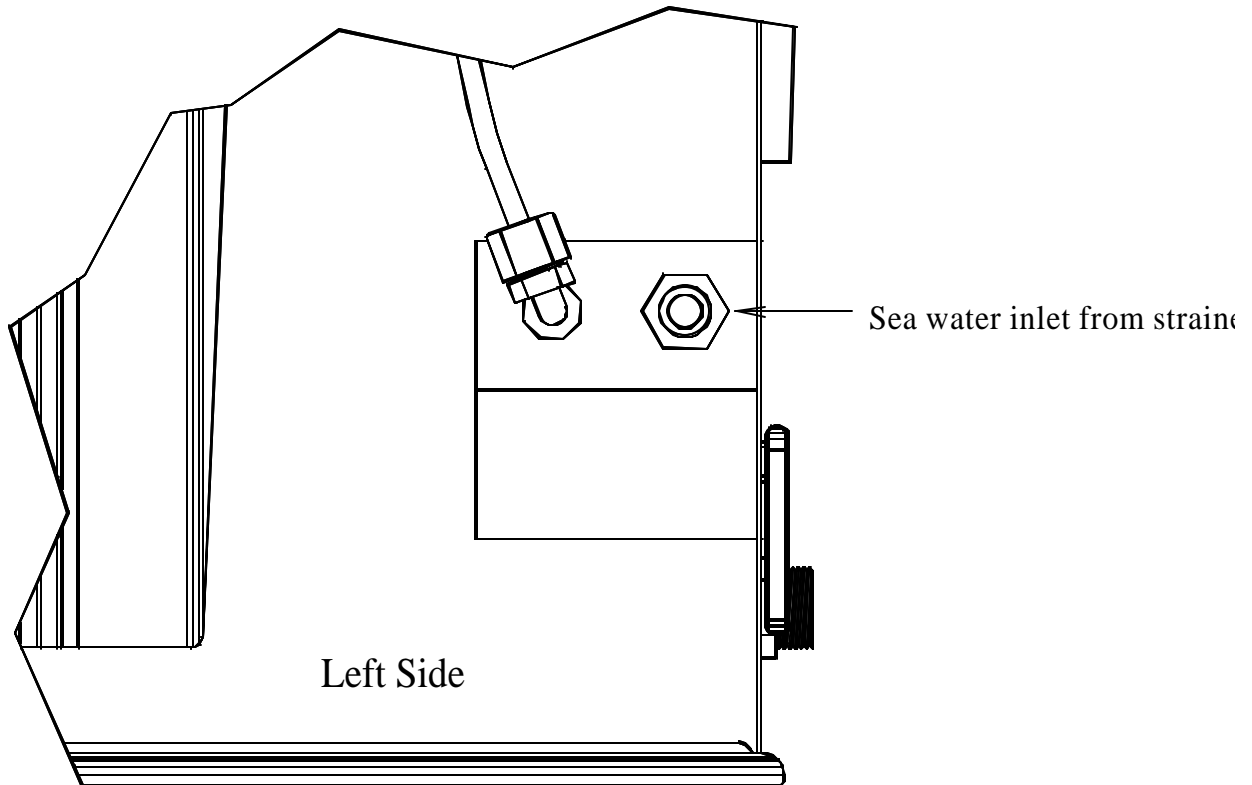
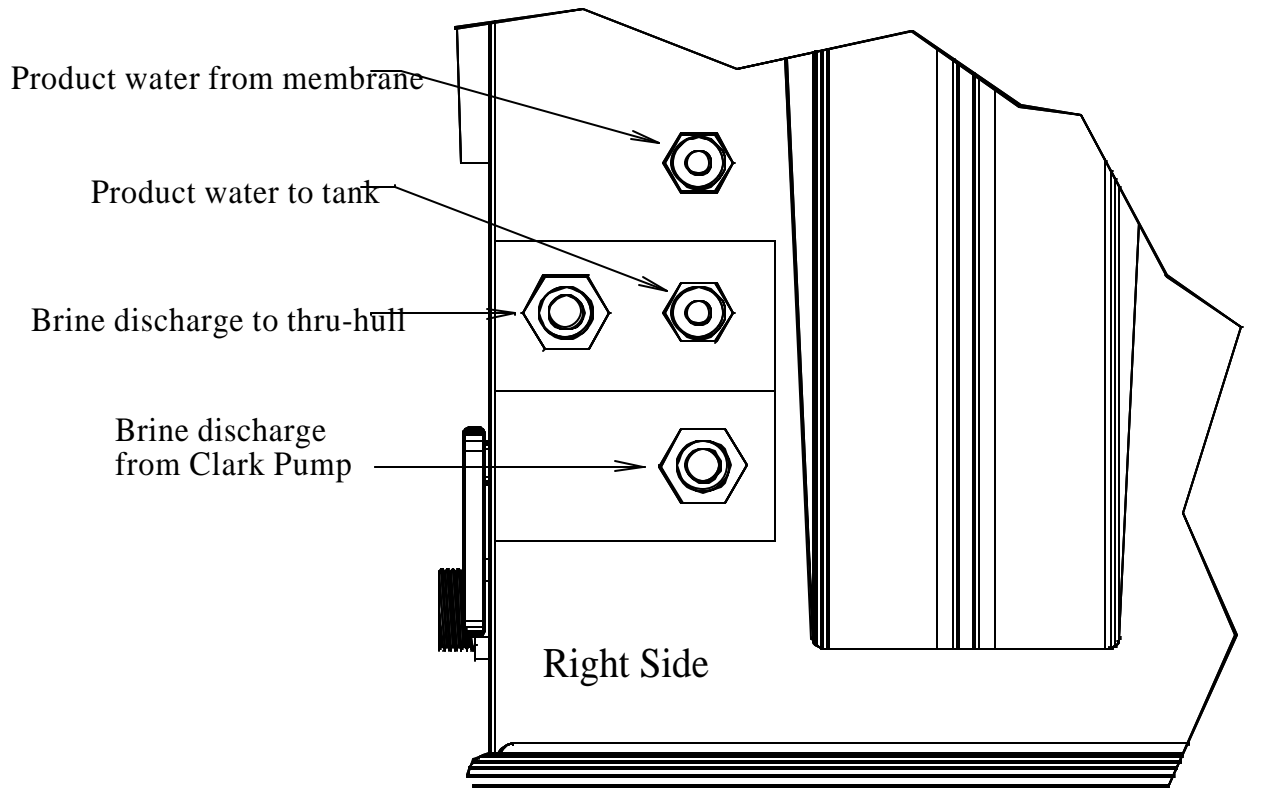
Clark Pump Front View



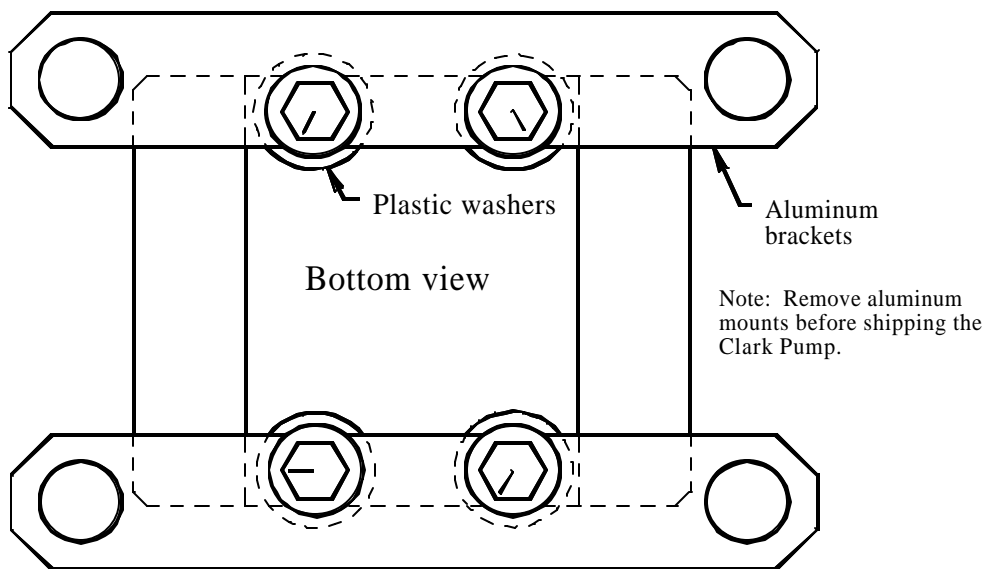
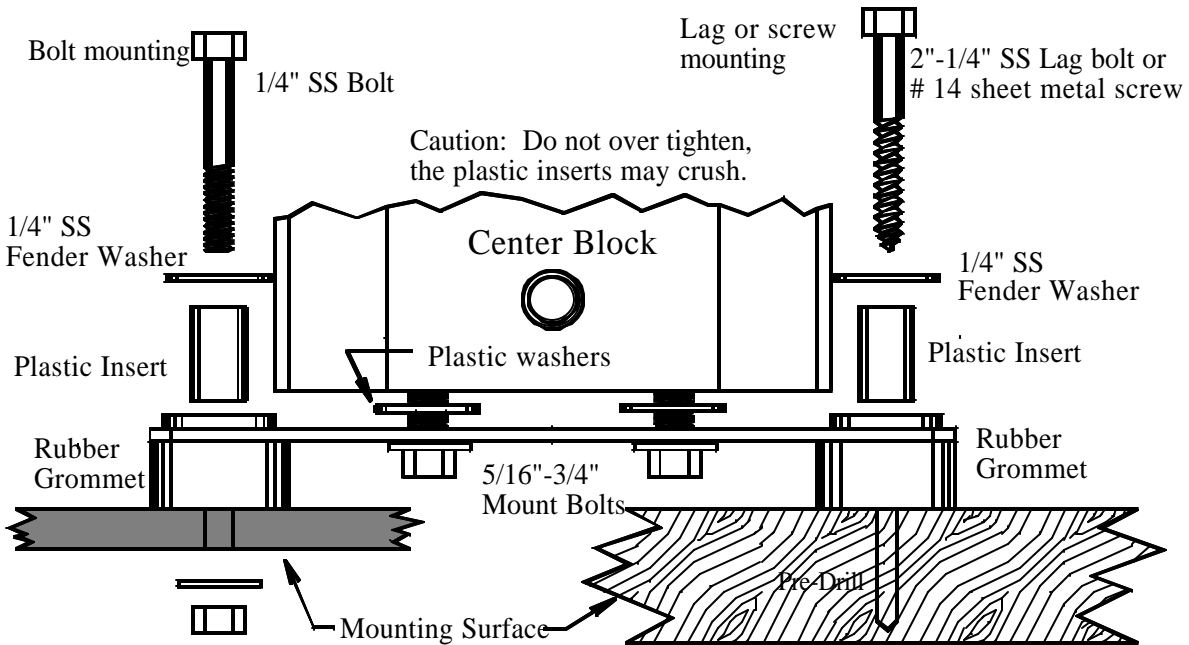
Clark Pump Back View



Gulfstream 400 Plumbing Diagram



Gulfstream 400 Plumbing Connections



Clark Pump Mounting

Spectra High Pressure Tube Fitting Assembly

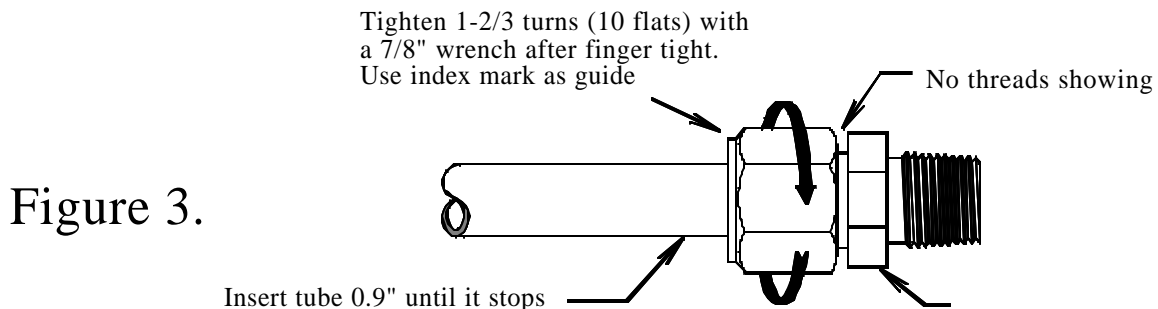
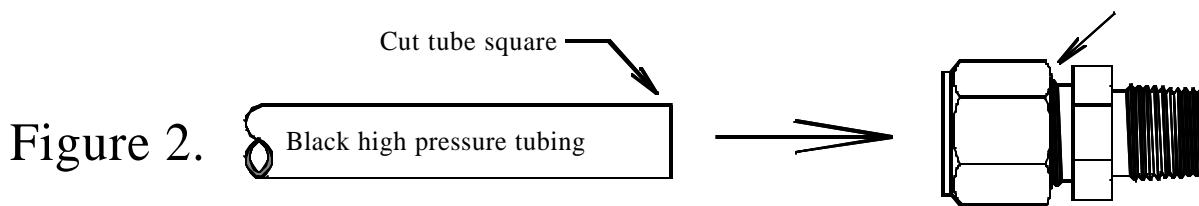
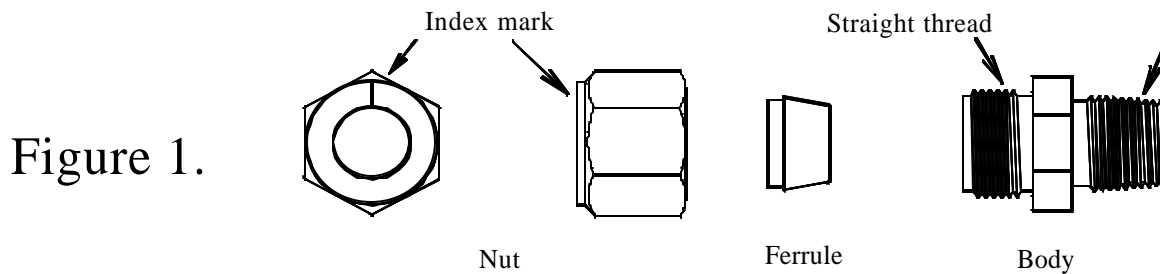
Carefully fit and measure the tubing before cutting with a sharp razor knife or hose cutter and remove any burrs. Minimum tubing bend radius is 6". Route tubing away from excessive heat sources and secure from vibration and chafe. Have at least one shallow bend in a tube assembly after it is installed.

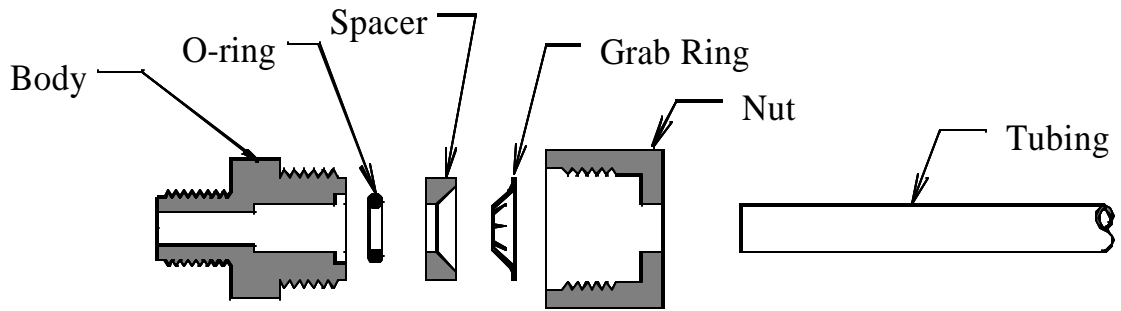
Refer to figure 1. If a fitting has been disassembled, reassemble as illustrated. The notch on the ferrule must engage the inside of the nut properly for the nut to seat down fully. Once the tube is inserted the ferrule and nut will naturally align.

Refer to figure 2. Insert tube fully into the fitting, it should go in 0.9". Tighten the nut finger tight while moving the tube around to prevent binding. One thread should be showing under the nut. Secure the tube so it won't back out when tightening.

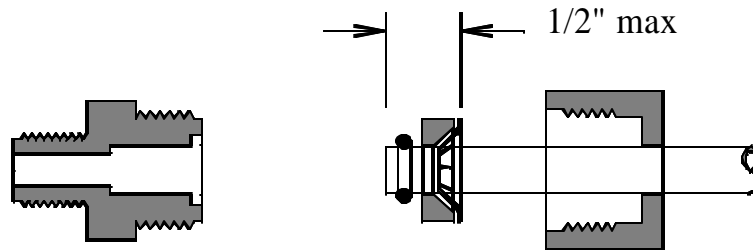
Refer to figure 3. Use 13/16" wrench to hold a straight body fitting or a 3/4" wrench for a 90° body, and a 7/8" wrench for the nut. Hold the body, recheck the tube insertion, then tighten the nut 1-2/3 turns (10 flats) after a good finger tight. Use the index mark on the nut as a guide. The threads should be completely covered by the nut.

The tube connectors can be disconnected and re-tighten several times. To reconnect, insert the tube and ferrule into the body then hand tighten the nut. Hold the body and tighten the nut with a wrench a little past where resistance is encountered. When correct, the nut should be tightened a little past where it was before disassembly. Always check for leaks.

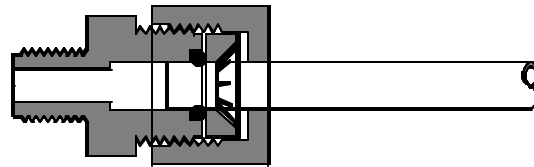




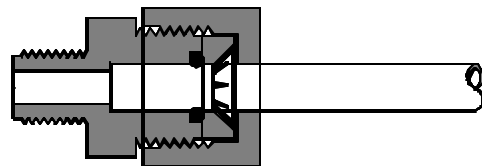
Step 1: Disassemble fitting components



Step 2:

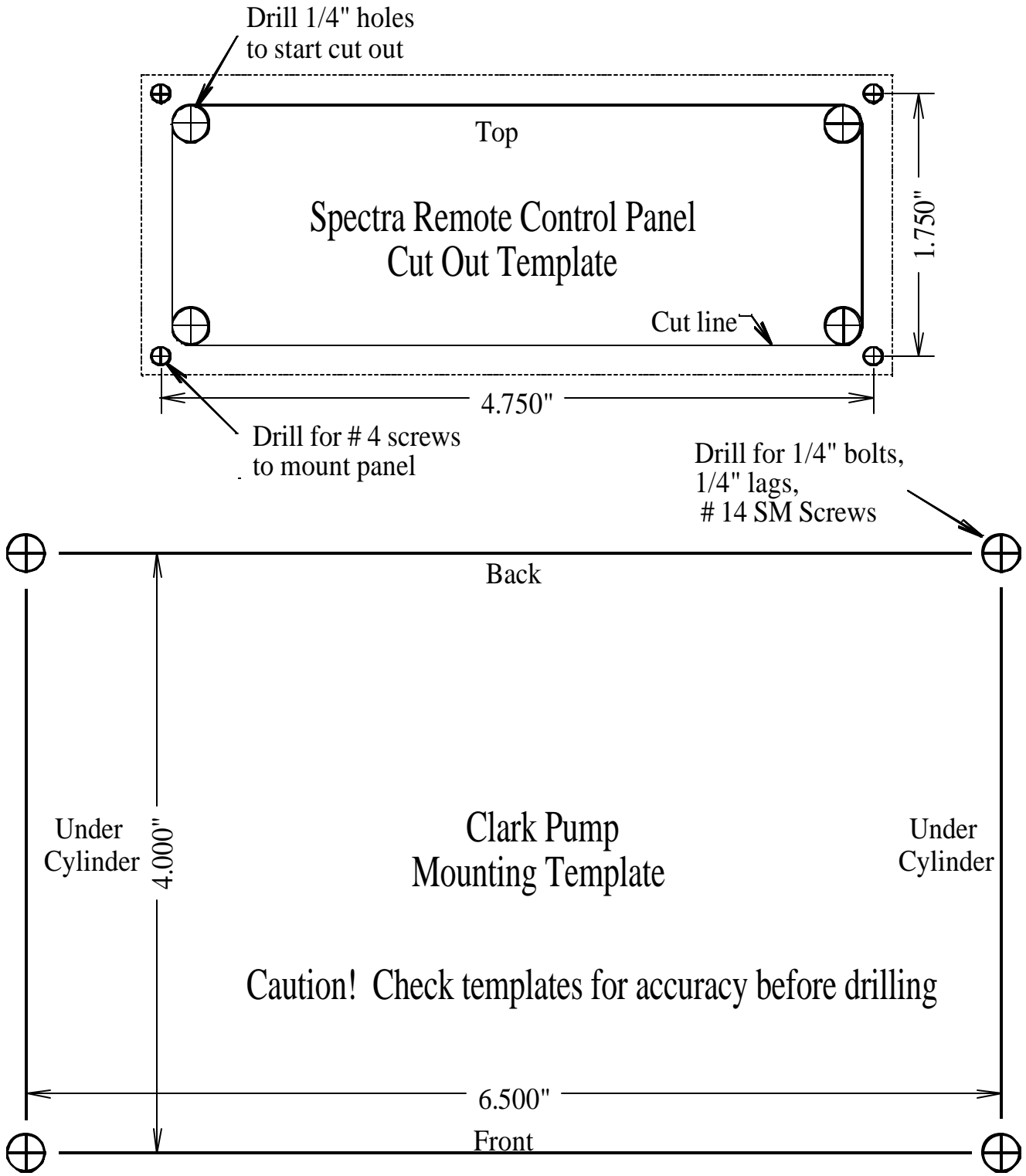


Step 3: Gently fit the tube into the body and loosely thread on the nut.



Step 4: Push the tube into the body until it bottoms out then hand tighten the nut.
DO NOT OVER TIGHTEN!

1/4" Tube Fitting Assembly



ELECTRICAL

See the wiring diagram on the following page.

A robust electrical connection is crucial to the proper operation of the system. Examine your electrical system carefully to determine the proper place from which to draw power. If power will be drawn from a breaker on the main distribution panel, make sure the panel has at least #8 gauge wire for panel positive feed *and* ground. Check all connections for tightness, including the ground buss. **Refer to the wiring diagrams on this page and page 36.**

If the panel is inadequate or too far away, a direct connection to a battery is possible. An in-line fuse (25 amp-slow blow) next to the battery and a switch (30 amp minimum rating) will be necessary. For 24 VDC systems use a 15 amp breaker.

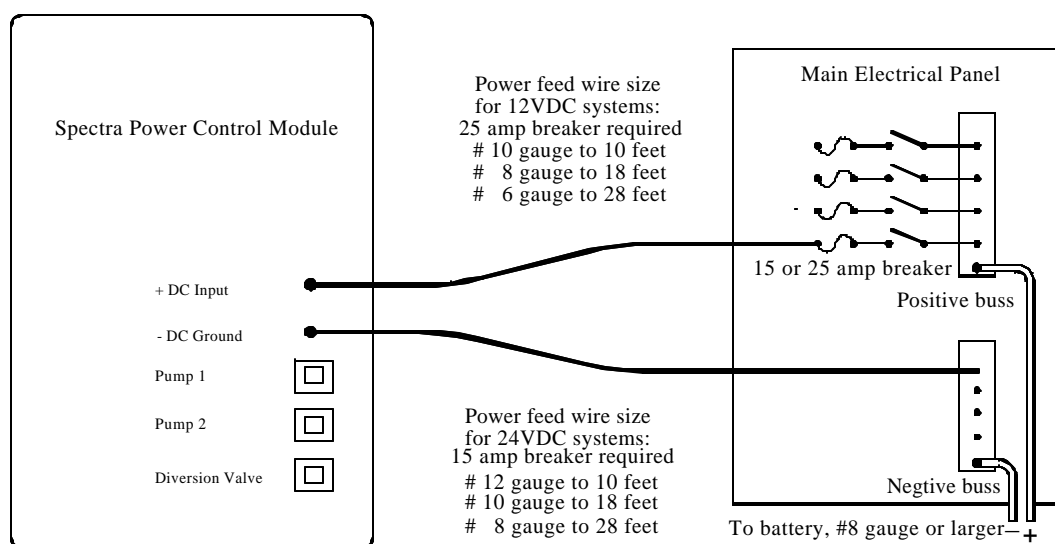
Power module wiring: For 12VDC use a 25 amp breaker and from the power source to the module and #10 gauge to 10 feet, #8 gauge to 18 feet, and #6 gauge to 28 feet. For 24 VDC systems use a 15 amp breaker and #12 gauge to 10 feet, #10 gauge to 18 feet, and #8 gauge to 28 feet.

Use marine grade insulated double-crimp connectors that match the wire gauge. Size ring terminals to the size of the fasteners. Crimp the connectors with a crimper designed for insulated connectors using *both* hands as hard as you can for the main crimp, and a little easier for the insulation crimp. Pull on the connector to test the strength of the crimp, you should not be able to pull it off. Heat shrink all connections where possible. Remember to slip the heat shrink onto the wires before crimping.

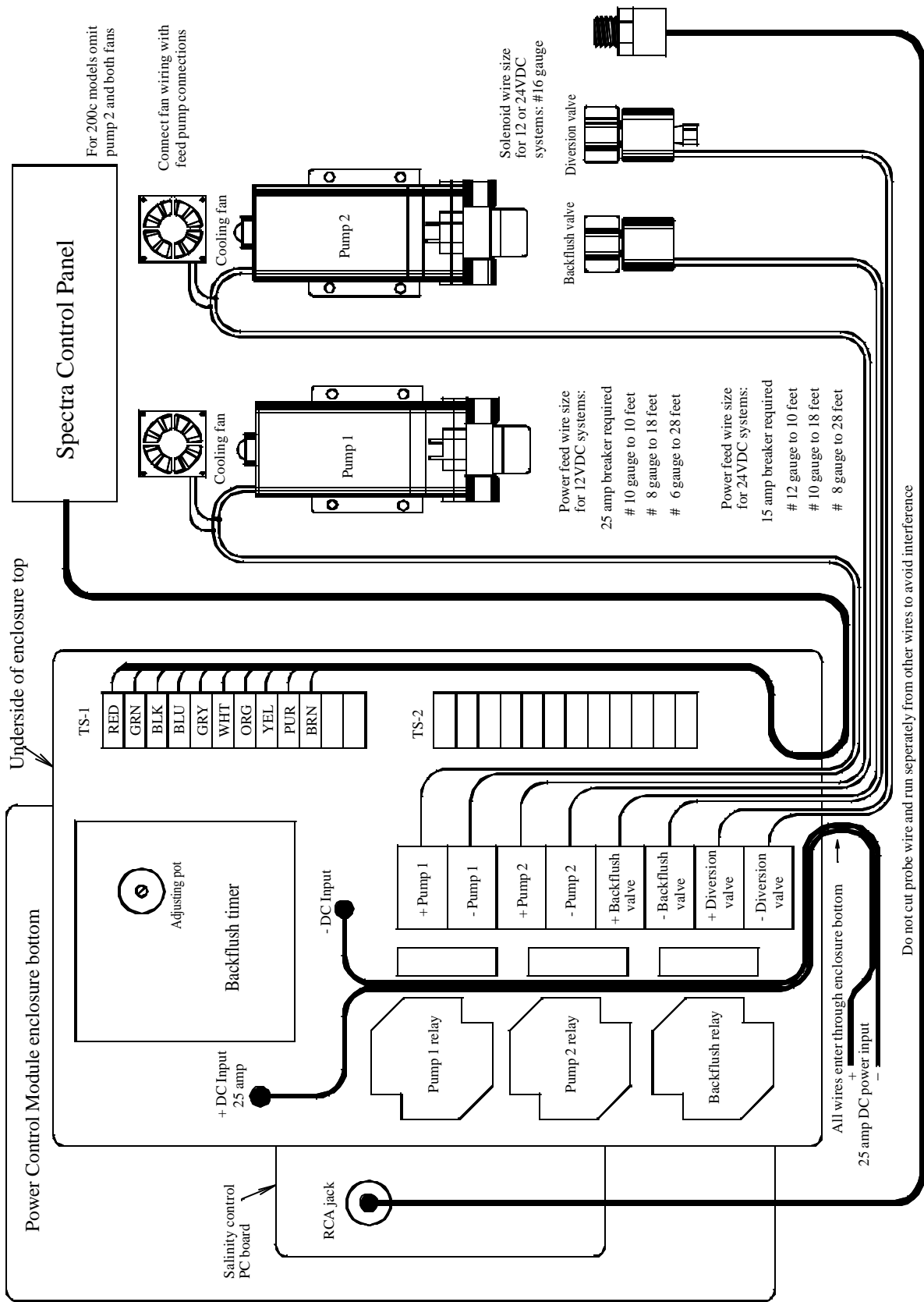
Follow the pattern of the original factory wiring when adding a new circuit. When adding a new wire to an existing wire bundle, remove all the old tie wraps where possible, run the new wire, then tie at even intervals. This will result in a clean and "original" look.

Connect the power wiring to the studs on the face of the power control module, positive to positive as marked.

Troubleshooting Guide



Gulfstream 400 Power Control Module Wiring Diagram



Do not cut probe wire and run separately from other wires to avoid interference

Spectra Gulfstream 400 Wiring Diagram

For instructions on repairing the Clark Pump, please contact **Spectra Watermakers**.

SYMPTOM	CAUSE	REMEDY
*Feed pump start but shuts down on high pressure. (over 100 psi)	*Clark Pump stalled. *Brine service valve in mid (off) position *Pre-filters excessively clogged	*Push in reset button *Open brine service valve *Service pre-filters
*System does not run	*Tripped breaker or blown fuse. *Pump power relay faulty. *Motor burned out.	*Check wiring to motor. *Replace relay. *Replace motor.
*Feed pump runs but no fresh water flow.	*Thru-hull closed. *Pressure relief valves open. *Pump air-locked.	*Check system, then open thru-hull. *Close relief valves. *Open relief valve to purge air, then close.
*Lower water production, high amp draw, high feed pressure.	*Pre-filter clogged.	*Service pre-filters.
*Low water production, normal to low amp draw, normal to low feed pressure.	*Relief valve partially open. *Leak in high pressure hoses or fittings. *Internal leakage in the Clark Pump. *Debris in feed pump check valves.	*Tighten hand tight only. *Tighten or replace fitting and/or hose. *See Clark Pump Repair Manual. *Disassemble pump head and clean.
*Water production normal, feed pressure high, high amp draw.	*Cold sea water temperature. *Membrane starting to foul.	*Normal operation. *Clean membrane.
*Water production normal, feed pressure low, amp draw low.	*Warm sea water temperature.	*Normal operation.
*Water production high, poor water quality.	*Seal failure inside membrane housing. *Membrane failure.	*Disassemble and check for bad seals and/or corrosion. *Replace membrane.
*Asymmetrical pressure and flow readings between shifts.	*Reversing valve seal leaking. *Shaft seal leaking. *Pin seal leaking. *Check valve leaking. *Scored cylinder wall. *Piston seal leaking.	*See Clark Pump Repair Manual.

LIMITED WARRANTY

Spectra Watermakers warrants to the original purchaser that all components, except for the Clark Pump, are free from any defects in material and/or workmanship for a period of one year from the date of purchase.

Spectra Watermakers warrants to the original purchaser that the **Clark Pump** is free from any defects in material and/or workmanship with a limited life time warranty from the date of purchase.

If any such defect is discovered and reported within the warranty period, **Spectra Watermakers** will repair or replace the affected component free of charge, subject to verification of the defect or malfunction upon inspection at **Spectra Watermakers**. The customer is responsible for all costs incurred for removal, shipping to and from our facility, and reinstallation.

This warranty *does not* apply to malfunctions or physical damage resulting from abuse, neglect, accident, alteration, modification, feed pump substitution, submersion, shipping damage, hoses and fittings not supplied by **Spectra Watermakers**, improper membrane maintenance, oil and chlorine damage, use of sodium bisulfite or sodium metabisulfite, or improper installation. Consumables such as pre-filter elements are not covered.

Spectra Watermakers, under no circumstances, shall be liable for any consequential damages arising out of, or in any way connected with, the failure of the product to perform as set forth herein. This limited warranty is in lieu of any and all other expressed or implied warranties.

Spectra Watermakers reserves the right to make changes or improvements on its products without incurring the obligation to retrofit such changes or improvements on previously manufactured units.

If a possible warranty problem is detected, please contact one of our service representatives *before any disassembly* for assistance, and to receive a Return Authorization number if a component is to be returned for a warranty repair.

Proof of purchase, return address, and a Return Authorization number are required for all warranty repairs.

Ship to:

Spectra Watermakers
298 Harbor Drive Sausalito, CA 94965

Phone 415.332.3780 Fax 415.332.8527
E-mail: spectra@spectrawatermakers.com